

ADAPT

HCR™

HEAD & CHIN REST

EXCLUSIVELY DESIGNED & CREATED BY

N NORWOOD
DEVICE & DIAGNOSTICS
www.norwoodvision.com

*The modern body
just doesn't fit
in your old chin rest*

*The better way is the **ADAPT·HCR™***

IMPROVED

to better accommodate

**LARGER &
DISABLED**

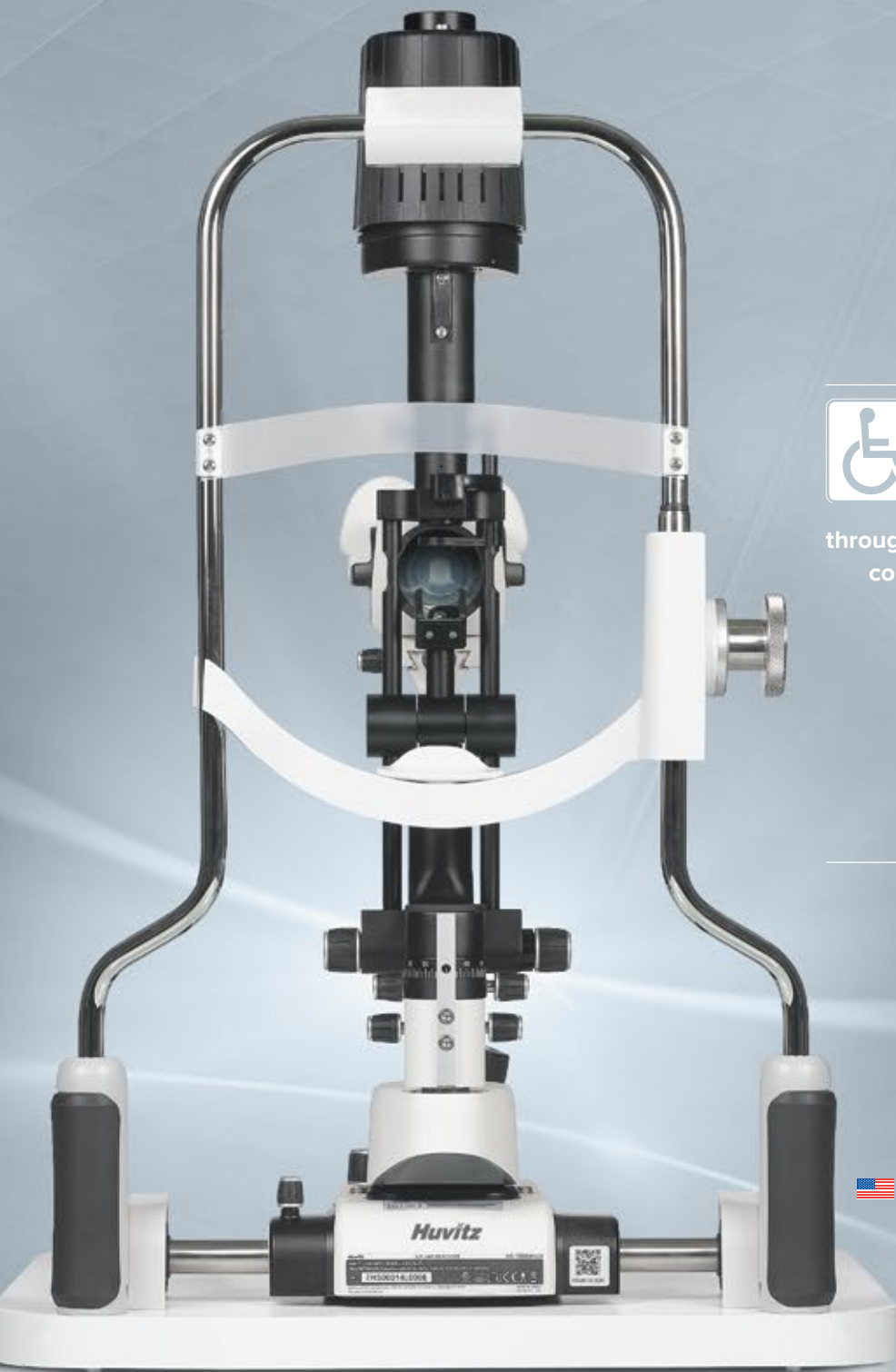
patients



 MANUFACTURED IN THE U.S.A.

ADAPT-HCR™ model-N shown. Slit Lamp sold separately.

The ADAPT-able HEAD & CHIN REST



Product Features
More Accurate Test Results for patients with Larger Body sizes/ Patients (who may be confined to a wheelchair), through improved positioning, stability, & comfortability, at cost effective pricing.

Adaptable to all Slit Lamps

Ergonomic Hand Grips with Side Adjustment Knob

Product Benefits

Faster Examinations

Improved Patient Access and Office Flow

Less Embarrassing for Certain Patients and Staff

 MANUFACTURED IN THE U.S.A.

ADAPT-HCR™ model-N shown. Slit-Lamp sold separately

The ADAPT-HCR™ is compatible with all "Compact or Vertical" Slit Lamps.

One Size for All!



Make examinations more comfortable & enjoyable for all your patients

Concept Description

The Slit Lamp is the most important tool that Eye Doctors use to examine a patient's eyes. This piece of equipment has always been crucial to visualize the anterior structures of the eye and is now used to visualize the retina as well. While exam techniques have evolved and improved over the last 50 years, patient positioning has not. Positioning remains static, and continues to be poor. With the antiquated thinking of 'one size fits all', large segments of the population find it embarrassing and uncomfortable to sit at the slit lamp.

Opportunity

Norwood Device & Diagnostics has designed, patented, alpha/beta tested, and manufactured a solution to this poor positioning. The Adapt-HCR™ is the culmination of over 4 years of in-depth research and development. The extra room provided by the Adapt-HCR™ makes it easier for larger, pregnant, or handicapped patients to have the benefits of a thorough eye exam. The frustration of positioning patients at the Slit Lamp has been felt by almost every Eye Doctor. With the Adapt-HCR™, you can now ensure that you are performing a thorough and more comfortable examination for your patients, which is also free of embarrassment for both patient and doctor.

It's time to stop blaming your patients for their poor positioning in your slit lamp. Take responsibility for the problem and make your slit lamp "Adapt"-able. Exams will be easier for your patient and faster for you.

The modern body just doesn't fit in your old chin rest. The better way is the ADAPT-HCR™ Head & Chin Rest.



ADAPT-HCR™ model-N shown
Slit-Lamp sold separately

About Norwood

Norwood Vision Group was founded in 2009 to help level the playing field for independent ophthalmologists, optometrists, & opticians.

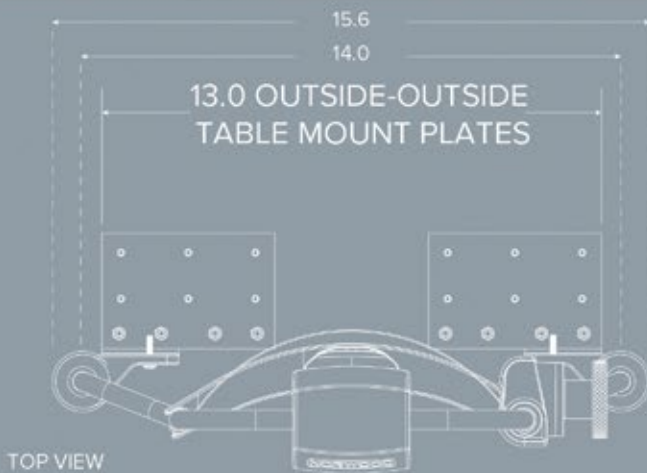
Our History

Having worked within the optical industry for over 28 years, founder Rick Norwood could easily see how the increasing number of retail chains and big box stores were utilizing their buying power to obtain lower-priced products. Rick was concerned for the future of the industry. With this developing trend, how would the independent businesses be able to grow and profit? Rick combined his concern with the fuel of his entrepreneurial spirit, and in August 2009 opened the doors to Norwood.

His vision was simple. Through new innovations in technology, smart purchasing methods, and personalized, superior customer service, Norwood would assist independent practitioners with succeeding in today's marketplace. A quick and easy to navigate website was set up as the core, which has allowed Norwood clients to fulfill the majority of their practice needs, with top quality products, at a reasonable cost, through a single source.

“
Protecting Your
Bottom Line
Since 2009
”

visit norwoodvision.com to see what they are saying about us!



	CHIN HEIGHT		OVERALL HEIGHT
MEASUREMENTS	TOP:	12.1"	24.5"
	BOTTOM:	10.6"	

NOTES:

1. THE CHIN HEIGHTS ARE INDICATED ONLY IN TOP AND BOTTOM POSITIONS; THERE ARE 16 TOTAL CHIN REST POSITIONS.
2. HEIGHT DIMENSIONS ARE MEASURED FROM THE BOTTOM OF THE TABLE.

PATENT 9918626

Your Norwood Representative:

contact us to learn more!
customerservice@nvisiongroupusa.com

www.norwoodvision.com

Norwood Device & Diagnostics
One North Morton Ave, Suite 201,
Morton, PA 19070

Phone (toll free): 855.370.1900
Fax: 484.472.6741